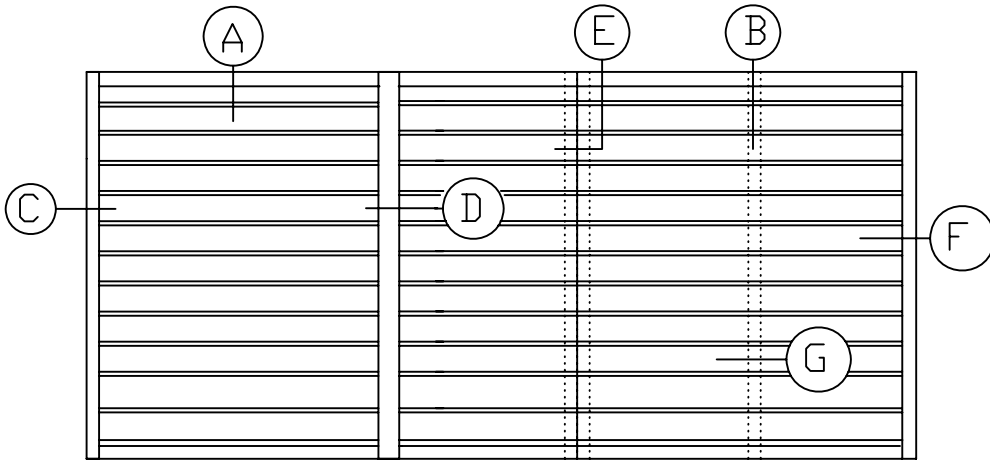
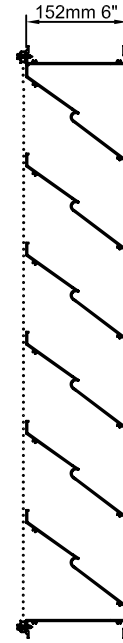


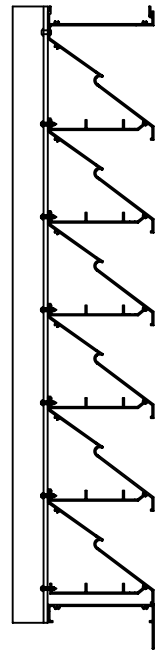
MODEL SP-645



SECTION A

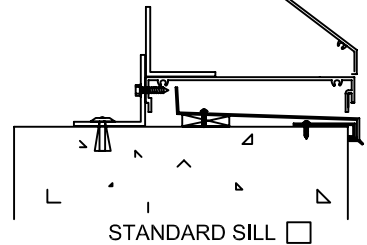
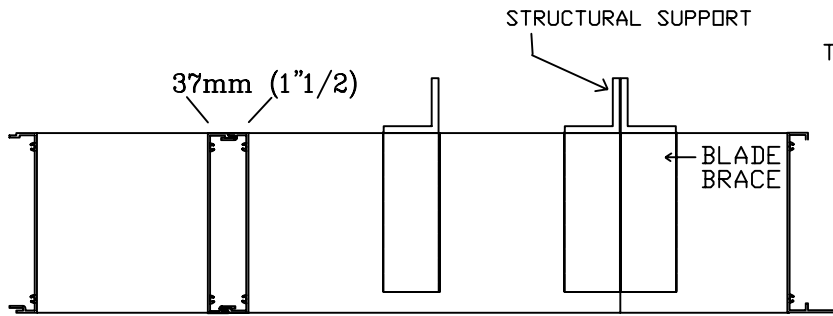


SECTION B



TYPE 'C' FRAME

TYPE 'F' FRAME



SECTION C
JAMB MULLION
TYPE U FRAME

SECTION D
INTERLOCKED
MULLION

SECTION G
INTERMEDIATE
SUPPORT

SECTION E
CONCEALED
MULLION

SECTION F
JAMB MULLION
TYPE F FRAME

STANDARD SILL

SP-645 SPECIFICATIONS

BLADES WEATHER RESISTANT

ASSEMBLY - S/S MECHANICAL STANDARD
WELDED OPTIONAL

FRAME CHANNEL FRAME TYPE U
FLANGE FRAME TYPE F

EXTRUDED ALUMINUM 6063-T52 FRAME .081(2mm)
.081(2mm)

MULLIONS- VISIBLE MULLION TYPE VM
CONCEALED MULLION TYPE CM
INTERMEDIATE SUPPORT TYPE IS

SCREENS - ALUM. TYPE A
1/2" X 1/2" .063 WIRE
C/W FRAME

- GALVANIZED TYPE G 1/2" X 1/2" 19 GAUGE
- INSECT TYPE I 18X14 ALUMINUM MESH

L#	QUANT.	OPENING SIZE		FRAME	MULL.	SECTIONS WIDE	SCREENS	SILLS	LOCATION
		WIDTH	HEIGHT						
L-1									
L-2									
L-3									
L-4									
L-5									
L-6									
L-7									

McGILL LOUVERS

1734 Orangebrook Cr. (905) 420-0485 TEL.
Pickering Ontario (905) 420-4564 FAX
CANADA (888)-624-4557 TEL.
L1W 3G8 (888)-624-4558 FAX
EMAIL : engineering@the-mcgill-group.com

FINISHES

COLOUR # _____

- MILL FINISH
- 5000 SERIES AAMA -603 BAKED ENAMEL
- 10000 SERIES AAMA -605.2 KYNAR 2 COAT
- 15000 SERIES AAMA -605.2 KYNAR 3 COAT
- CLEAR ANODIZING .0004 .0007
- COLOUR ANODIZING _____

PROJECT:		
ARCH/ENG.:		
CONTRACTOR:		
REPRESENTATIVE: McGILL ARCHITECTURAL PRODUCTS		
SCALE DATE SHEET		
NTS		1 OF