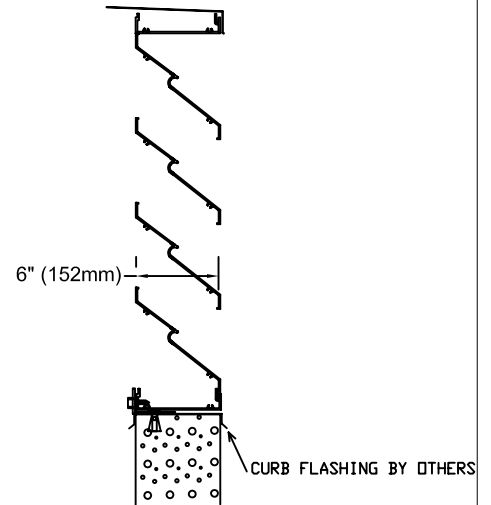
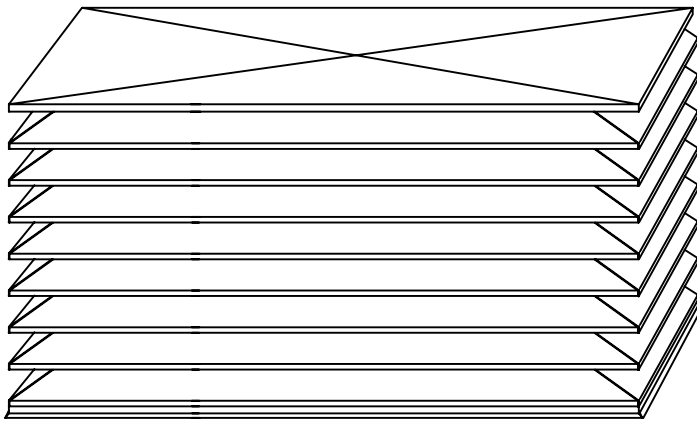
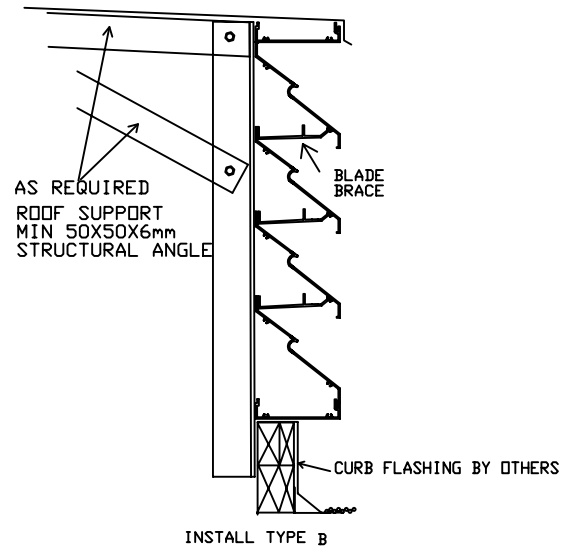
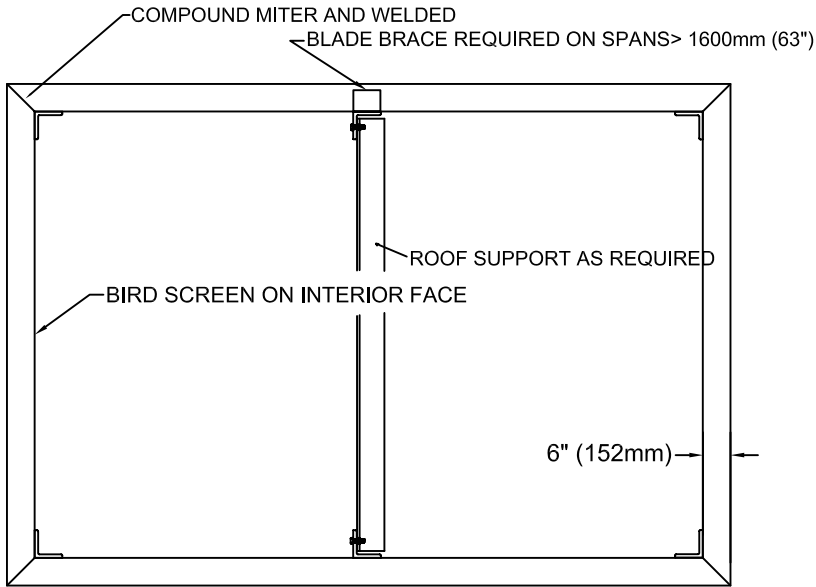


MODEL PH-SP645MC



PH-SP645MC SPECIFICATIONS

BLADES WEATHER RESISTANT

ASSEMBLY - S/S MECHANICAL STANDARD
WELDED OPTIONAL

FRAME FLANGE TYPE F

EXTRUDED ALUMINUM 6063-T52 FRAME .081(2mm) .125(3mm)

MULLIONS - CONTINUOUS TYPE TYPE CM

BLADE .081(2mm) .125(3mm)

ROOF

SCREENS - ALUM. TYPE A

- GALVANIZED TYPE G - INSECT TYPE I
1/2" X 1/2" .063 WIRE C/W FRAME 1/2" X 1/2" 19 GAUGE 18X14 ALUMINUM MESH

2MM (0.080") ALUMINUM ROOF (OTHER GAUGES AVAIL)
 ROOF TRUSS FOR 20LBS LOAD. IF OTHER, PLEASE SPECIFY

| L# | QUANT. | OPENING SIZE | | FRAME | MULL. | SECTIONS WIDE | SCREENS | LOCATION |
|-----|--------|--------------|--------|-------|-------|---------------|---------|----------|
| | | WIDTH | HEIGHT | | | | | |
| L-1 | | | | | | | | |
| L-2 | | | | | | | | |
| L-3 | | | | | | | | |
| L-4 | | | | | | | | |
| L-5 | | | | | | | | |
| L-6 | | | | | | | | |
| L-7 | | | | | | | | |

McGILL LOUVERS

1734 Orangebrook Crt. (905) 420-0485 TEL.
Pickering Ontario (905) 420-4564 FAX
CANADA (888)-624-4557 TEL.
L1W 3G8 (888)-624-4558 FAX
EMAIL : engineering@the-mcgill-group.com

FINISHES

COLOUR # _____

- MILL FINISH
- 5000 SERIES AAMA -603 BAKED ENAMEL
- 10000 SERIES AAMA -605.2 KYNAR 2 COAT
- 15000 SERIES AAMA -605.2 KYNAR 3 COAT
- CLEAR ANODIZING .0004 .0007
- COLOUR ANODIZING _____

PROJECT

ARCH/ENG.

CONTRACTOR

REPRESENTATIVE

SCALE DATE

SHEET

OF