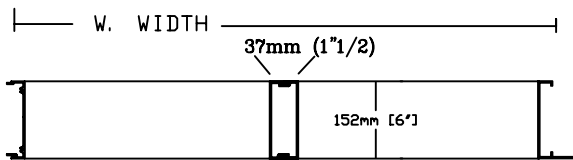
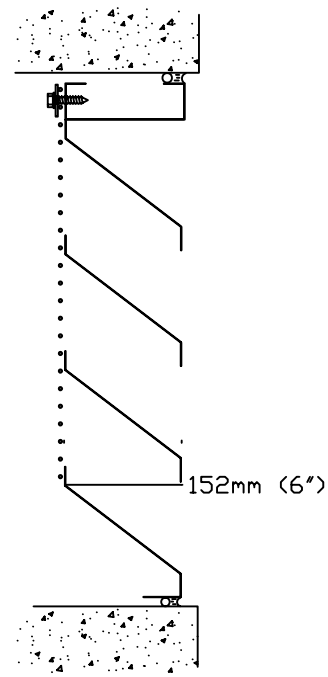
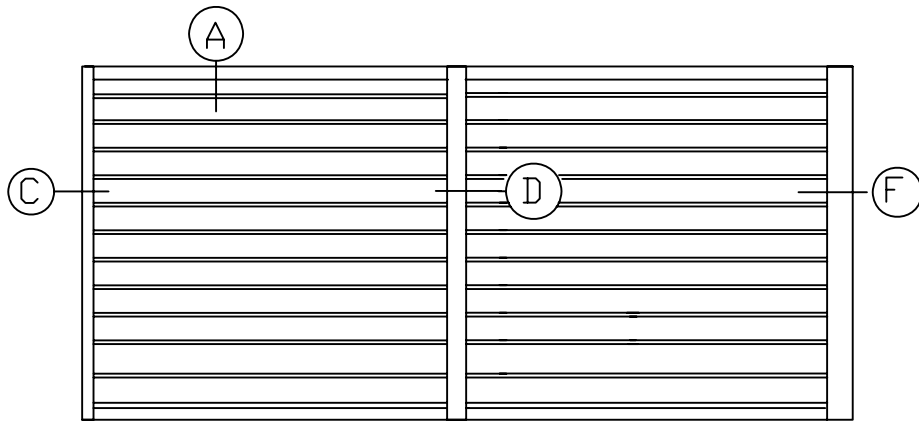
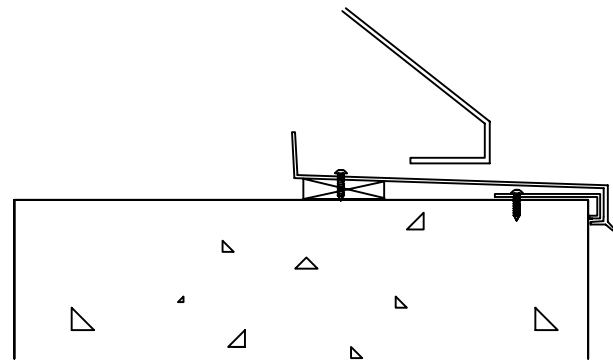


MODEL ST645

SECTION A



SECTION C JAMB MULLION TYPE U FRAME
 SECTION D INTERLOCKED MULLION
 SECTION F JAMB MULLION TYPE F FRAME



OPTIONAL SILL

ST645 SPECIFICATIONS

BLADES 18 GAUGE STEEL ASSEMBLY - S/S MECHANICAL STANDARD
 FRAME 1 3/4" x 4" x 18 GA. STEEL, CORNERS WELED BLADE 45° 18 GAUGE STEEL
 MULLIONS VISIBLE MULLION SCREENS ALUM. TYPE A GALVANIZED TYPE G INSECT TYPE I
 1/2" X 1/2" .063 WIRE C/W FRAME 1/2" X 1/2" 19 GAUGE 18X14 ALUMINUM MESH

L#	QUANT.	OPENING SIZE		FRAME	MULL.	SECTIONS WIDE	SCREENS	LOCATION
		WIDTH	HEIGHT					
L-1								
L-2								
L-3								
L-4								
L-5								
L-6								
L-7								

McGILL LOUVERS
 1734 Orangebrook Crt. (905) 420-0485 TEL.
 Pickering Ontario (905) 420-4564 FAX
 CANADA (888)-624-4557 TEL.
 L1W 3G8 (888)-624-4558 FAX
 rev. 3/03 EMAIL : engineering@the-mcgill-group.com

FINISHES COLOUR # _____
 MILL FINISH
 5000 SERIES AAMA -603 BAKED ENAMEL
 10000 SERIES AAMA -605.2 KYNAR 2 COAT
 15000 SERIES AAMA -605.2 KYNAR 3 COAT
 CLEAR ANODIZING .0004 .0007
 COLOUR ANODIZING _____

PROJECT
ARCH/ENG.
CONTRACTOR
REPRESENTATIVE
SCALE DATE SHEET
OF