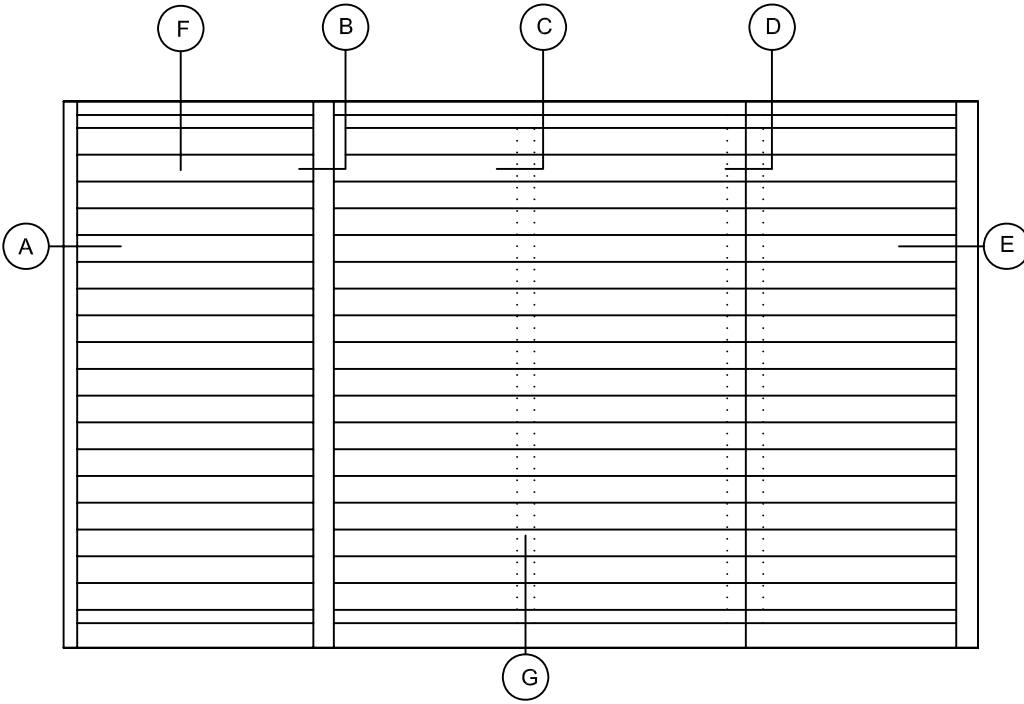
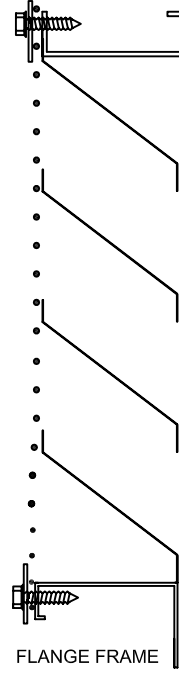


MODEL ST-445

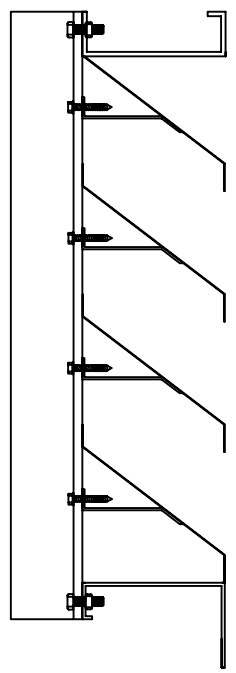


SECTION F

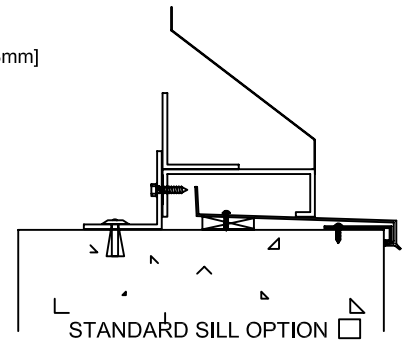
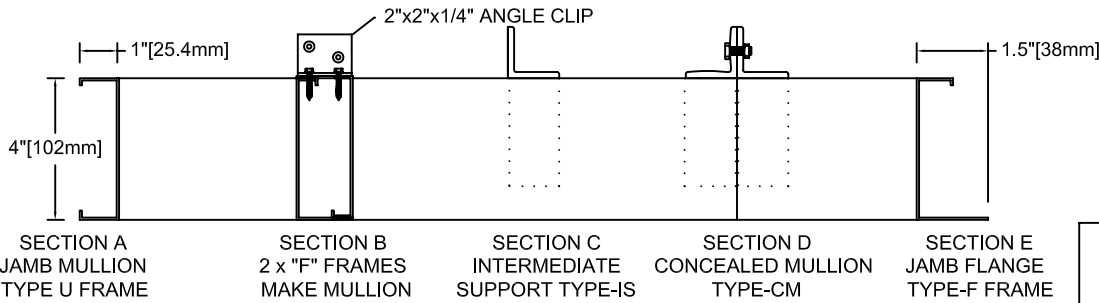
CHANNEL FRAME



SECTION G



FLANGE FRAME



ST-445 SPECIFICATIONS

BLADES STANDARD

ASSEMBLY - WELDED

FRAME CHANNEL TYPE U
FLANGE TYPE F

MATERIAL: 16 GAUGE GALV. STEEL FRAME & BLADE

MULLIONS VISIBLE MULLION TYPE VM
INTERMEDIATE SUPPORT TYPE IS
CONCEALED MULLION TYPE CM

SCREENS ALUM. TYPE A
1/2" X 1/2" .063
WIRE C/W FRAME

GALVANIZED TYPE G
1/2" X 1/2" 19 GAUGE

INSECT TYPE I
18X14 ALUMINUM
MESH

L#	QUANT.	OPENING SIZE		FRAME	MULL.	SECTIONS WIDE	SCREENS	LOCATION / NOTES
		WIDTH	HEIGHT					
L-1								
L-2								
L-3								
L-4								
L-5								
L-6								
L-7								

McGILL LOUVERS

1734 Orangebrook Crt. (905) 420-0485 TEL.
Pickering Ontario (905) 420-4564 FAX
CANADA (888)-624-4557 TEL.
L1W 3G8 (888)-624-4558 FAX
EMAIL : engineering@the-mcgill-group.com

FINISHES

COLOUR # _____

- MILL FINISH
- 5000 SERIES AAMA -603 BAKED ENAMEL
- 10000 SERIES AAMA -605.2 KYNAR 2 COAT
- 15000 SERIES AAMA -605.2 KYNAR 3 COAT

PROJECT
ARCH/ENG.
CONTRACTOR
REPRESENTATIVE
SCALE DATE SHEET
NTS OF