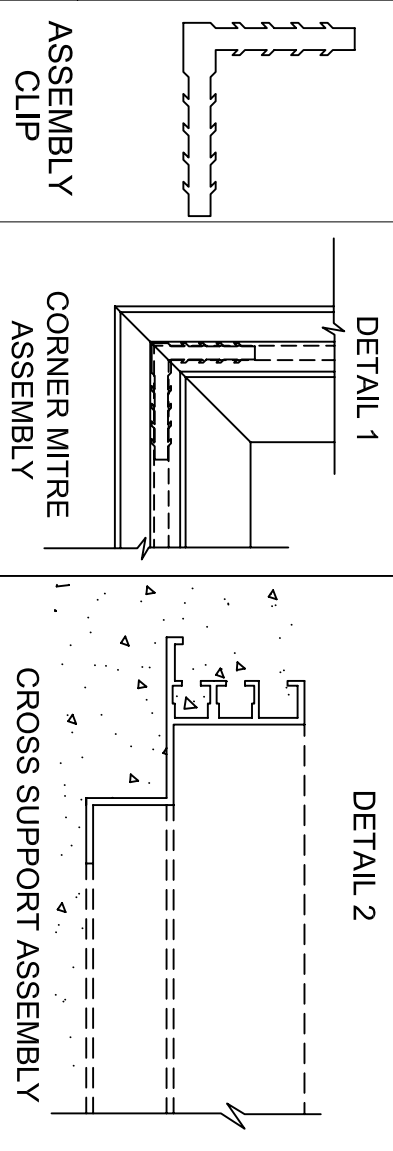
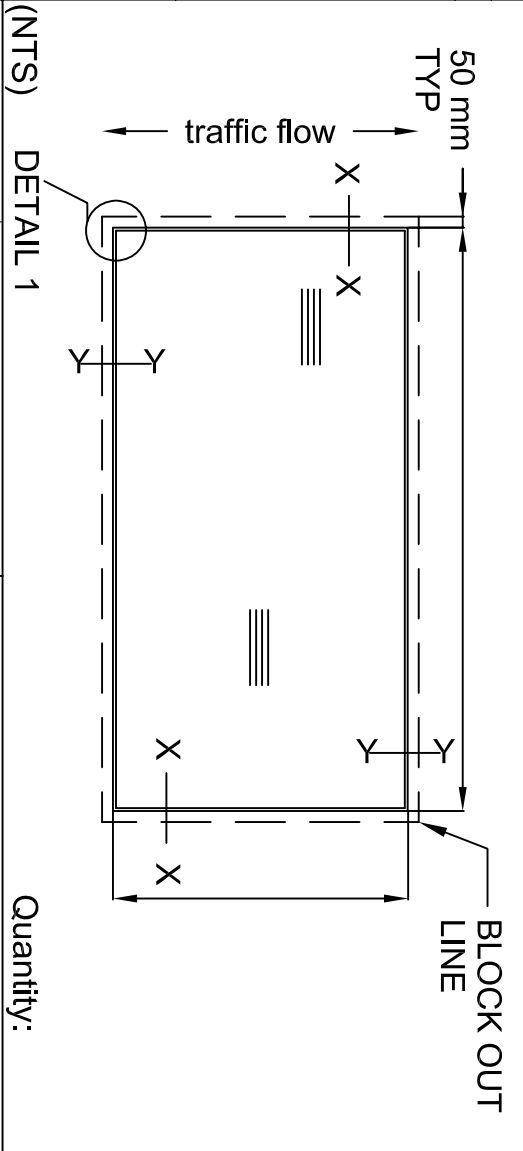
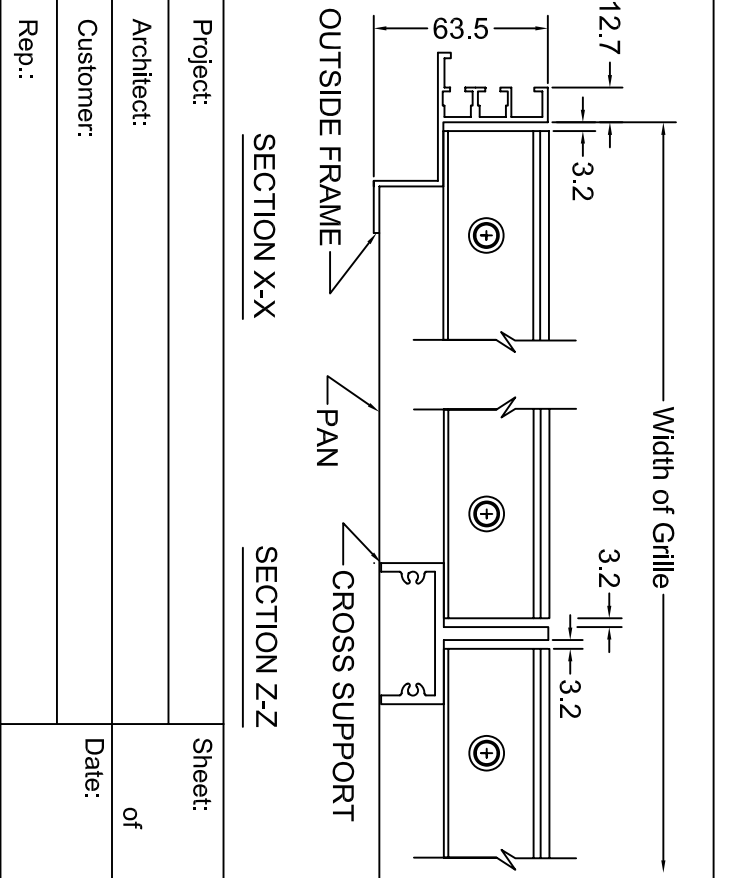
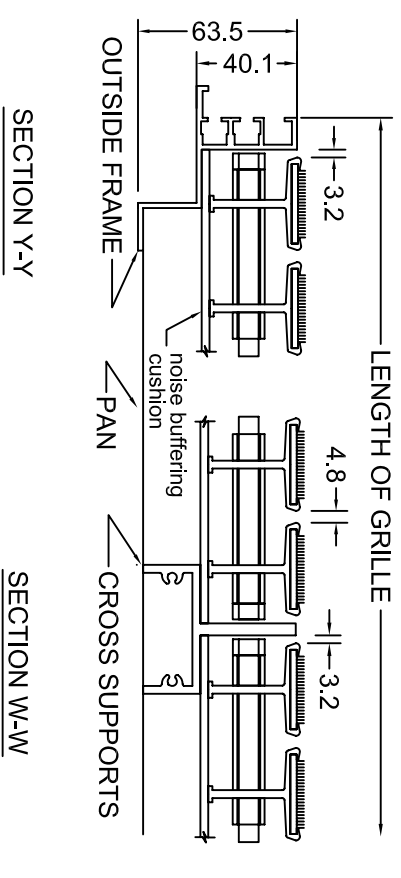
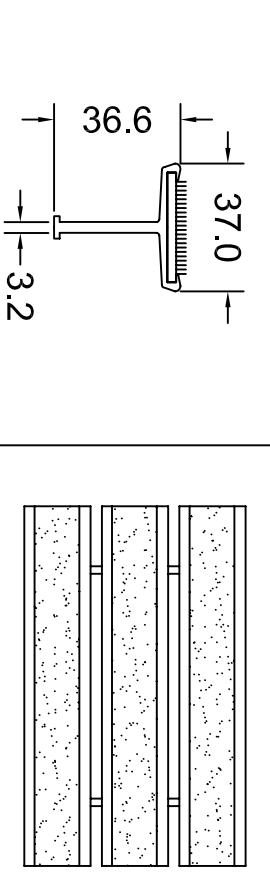


MODEL: AG-6000-MLW-DP

Rail Detail

Plan View Of Grille



<p>GRILLES</p> <p>Material : Aluminium 6061-T6 Assembly : 5/16" Steel rods 1/2" Aluminium spacers</p> <p>Finish Options : <input type="checkbox"/> Mill <input type="checkbox"/> Clear anodized <input type="checkbox"/> Bronze anodized</p> <p>Color selection:</p>		<p>FRAMES</p> <p>Material : Aluminium 6061-T6 Assembly : Field installed with corner clips</p> <p>Finish Options: <input type="checkbox"/> Mill <input type="checkbox"/> Clear anodized <input type="checkbox"/> Bronze anodized</p>																	
<p>Pan Options</p> <p><input type="checkbox"/> 20G.Gal.steel <input type="checkbox"/> 16G.Aluminium <input type="checkbox"/> 20G.Stainless steel</p>		<p>Accessories</p> <p><input type="checkbox"/> Drain <input type="checkbox"/> Hinge <input type="checkbox"/> Lock down</p>																	
<p>ASSEMBLY</p> <p>Assembly : Factory installed to inside of frame pocket</p>		<p>CROSS SUPPORT ASSEMBLY</p> <p>Type: DP</p>																	
<p>Revision Record:</p> <table border="1"> <tr> <th>No.</th> <th>By:</th> <th>Date:</th> <th>Approved:</th> </tr> <tr> <td> </td> <td> </td> <td> </td> <td> </td> </tr> <tr> <td> </td> <td> </td> <td> </td> <td> </td> </tr> <tr> <td> </td> <td> </td> <td> </td> <td> </td> </tr> </table>		No.	By:	Date:	Approved:													<p>McGill</p> <p>1734 Orangebrook Court Pickering, Ont. L1W 3G8, Canada Tel: 905-420-0485 / 1-888-624-4557 Fax: 905-420-4564 / 1-888-624-4558 engineering @ the-mcgill-group.com http://www.the-mcgill-group.com</p>	
No.	By:	Date:	Approved:																
<p>Project: _____ Sheet: _____</p> <p>Architect: _____ of _____</p> <p>Customer: _____ Date: _____</p> <p>Rep.: _____</p>		<p>File # _____</p> <p>P.O. _____</p>																	