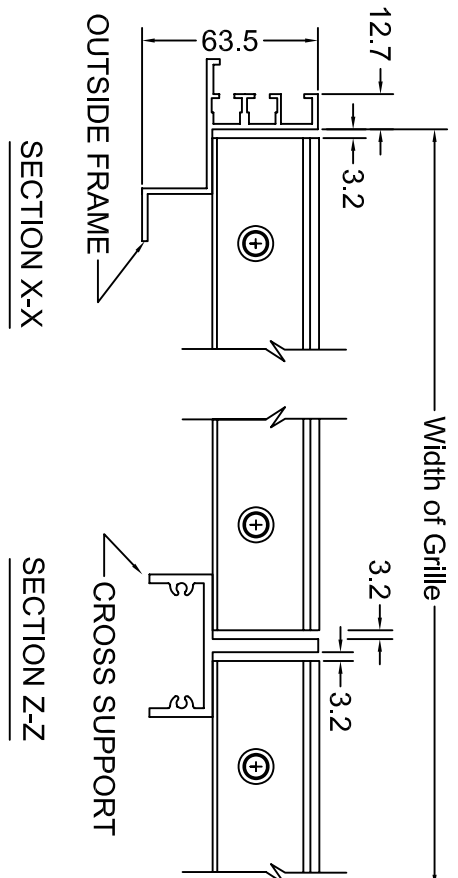
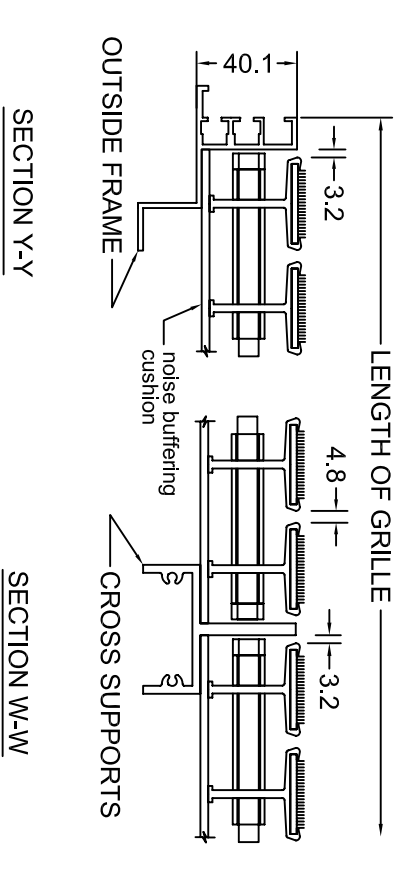
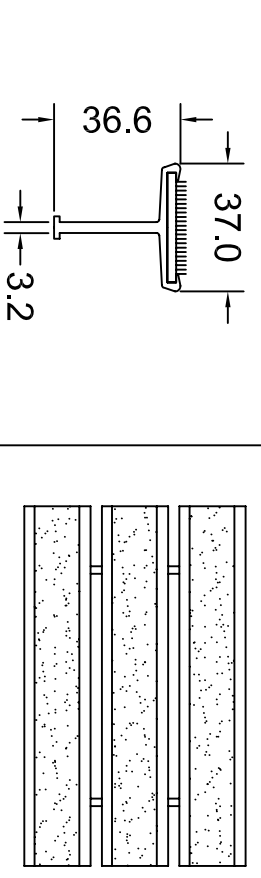


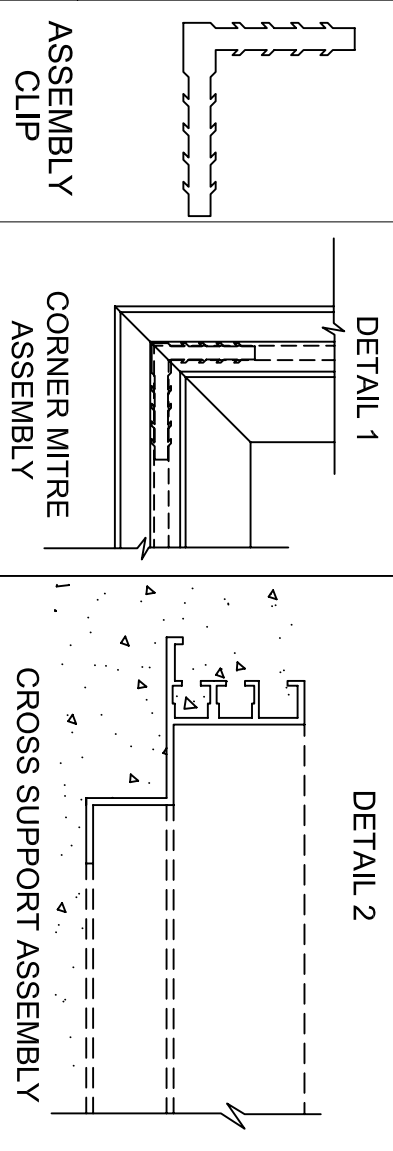
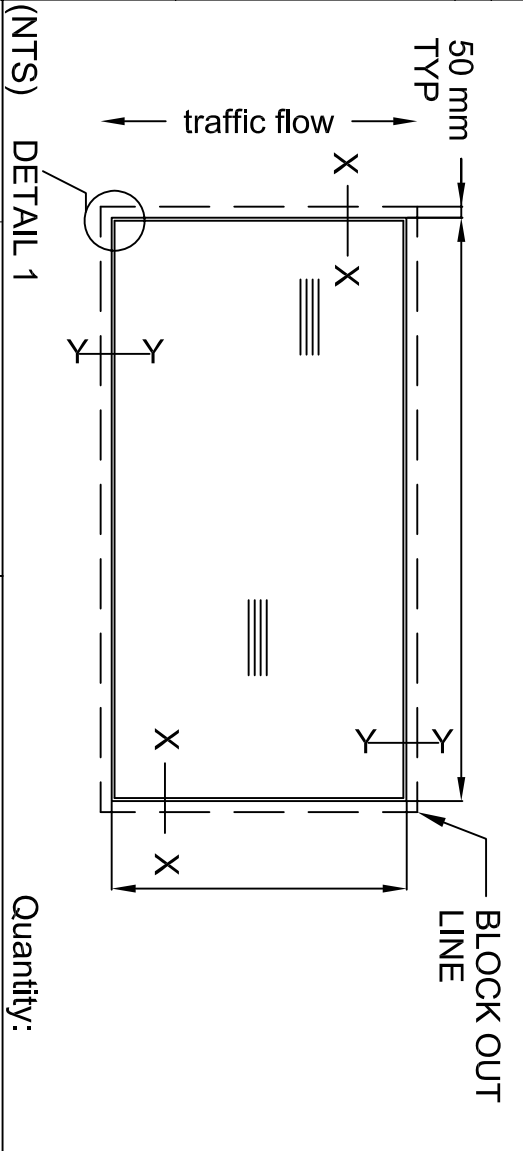
**MODEL: AG-6000-MLW-D**

**Rail Detail**

**Plan View Of Grille**



Project:	Sheet:
Architect:	of
Customer:	Date:
Rep.:	



<p><b>GRILLES</b></p> <p>Material : Aluminium 6061-T6                  Assembly : 5/16" Steel rods                  1/2" Aluminium spacers</p> <p>Finish Options : <input type="checkbox"/> Mill  <input type="checkbox"/> Clear anodized  <input type="checkbox"/> Bronze anodized</p> <p>Color selection:</p>		<p><b>FRAMES</b></p> <p>Type: D                  Material : Aluminium 6061-T6                  Assembly : Field installed with corner clips</p> <p>Finish Options: <input type="checkbox"/> Mill  <input type="checkbox"/> Clear anodized  <input type="checkbox"/> Bronze anodized</p>																					
<p><b>Pan Options</b></p> <p><input type="checkbox"/> 20G.Gal.steel  <input type="checkbox"/> 16G.Aluminium  <input type="checkbox"/> 20G.Stainless steel</p>		<p><b>Assembly</b></p> <p>Factory installed to inside of frame pocket</p>																					
<p><b>Accessories</b></p> <p><input type="checkbox"/> Drain  <input type="checkbox"/> Hinge  <input type="checkbox"/> Lock down</p>		<p><b>Revision Record:</b></p> <table border="1"> <thead> <tr> <th>No.</th> <th>By:</th> <th>Date:</th> <th>Approved:</th> </tr> </thead> <tbody> <tr> <td> </td> <td> </td> <td> </td> <td> </td> </tr> <tr> <td> </td> <td> </td> <td> </td> <td> </td> </tr> <tr> <td> </td> <td> </td> <td> </td> <td> </td> </tr> <tr> <td> </td> <td> </td> <td> </td> <td> </td> </tr> </tbody> </table>		No.	By:	Date:	Approved:																
No.	By:	Date:	Approved:																				
<p><b>File #</b></p> <p>P.O.</p>		<p><b>McGill</b></p> <p>1734 Orangebrook Court                  Pickering, Ont. L1W 3G8, Canada                  Tel: 905-420-0485 / 1-888-624-4557                  Fax: 905-420-4564 / 1-888-624-4558                  engineering @ the-mcgill-group.com                  http://www.the-mcgill-group.com</p>																					