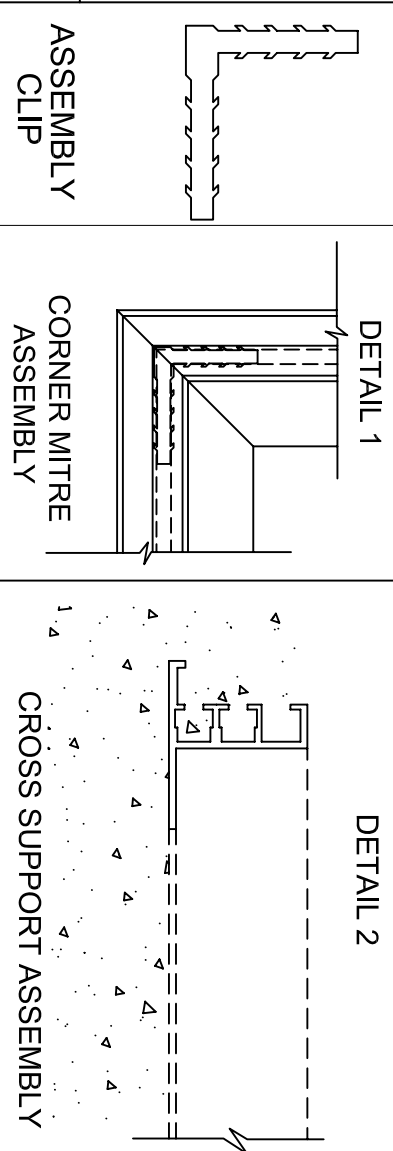
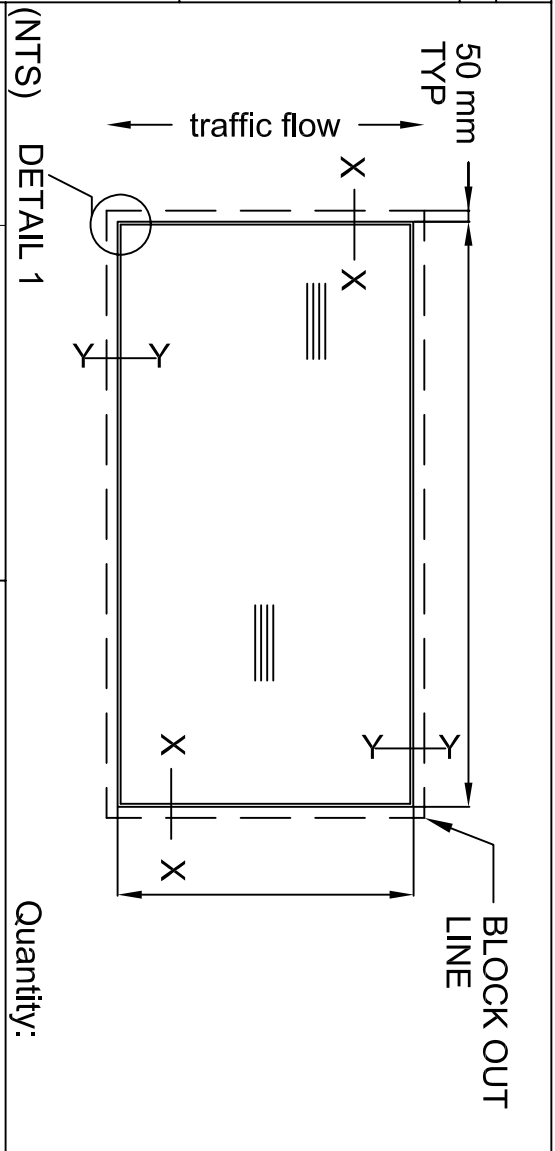


Project: _____ Sheet: _____
 Architect: _____ of _____
 Customer: _____ Date: _____
 Rep.: _____



<p>GRILLES</p> <p>Material: Aluminium 6061-T6 Assembly: 5/16" Steel rods 1/2" Aluminium spacers</p> <p>Finish Options: <input type="checkbox"/> Mill <input type="checkbox"/> Clear anodized <input type="checkbox"/> Bronze anodized</p> <p>Color selection:</p>		<p>FRAMES</p> <p>Material: Aluminium 6061-T6 Assembly: Field installed with corner clips</p> <p>Finish Options: <input type="checkbox"/> Mill <input type="checkbox"/> Clear anodized <input type="checkbox"/> Bronze anodized</p>	
<p>Pan Options</p> <p><input type="checkbox"/> 20G. Gal. steel <input type="checkbox"/> 16G. Aluminum <input type="checkbox"/> 20G. Stainless steel</p>		<p>Assembly</p> <p><input type="checkbox"/> Factory installed to inside of frame pocket</p>	
<p>Accessories</p> <p><input type="checkbox"/> Drain <input type="checkbox"/> Hinge <input type="checkbox"/> Lock down</p>		<p>ASSEMBLY</p> <p><input type="checkbox"/> Corner Mitre Assembly</p>	

File # _____ No. _____ By: _____ Date: _____ Approved: _____

Revision Record:

_____	_____	_____	_____
_____	_____	_____	_____
_____	_____	_____	_____
_____	_____	_____	_____

P.O. _____

McGill
 1734 Orangethrook Court
 Pickering, Ont. L1W 3G8, Canada
 Tel: 905-420-0485 / 1-888-624-4557
 Fax: 905-420-4564 / 1-888-624-4558
 engineering @ the-mcgill-group.com
<http://www.the-mcgill-group.com>