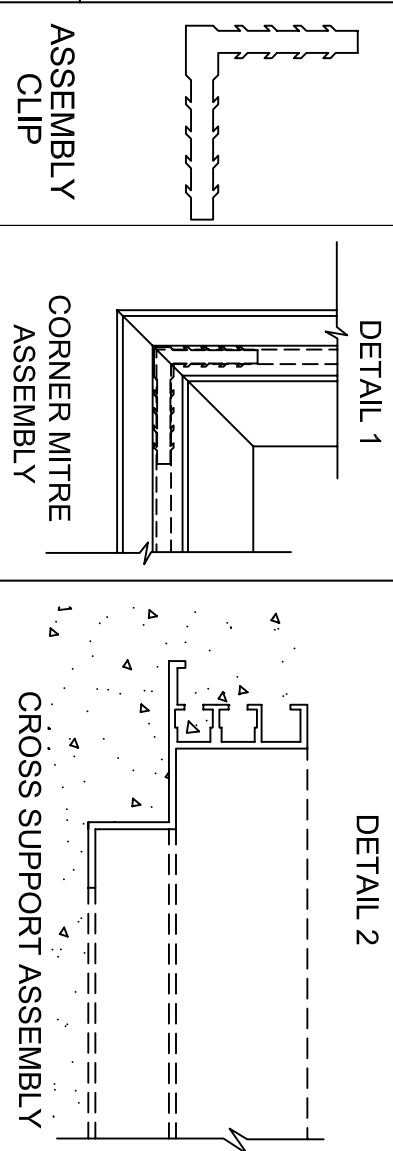
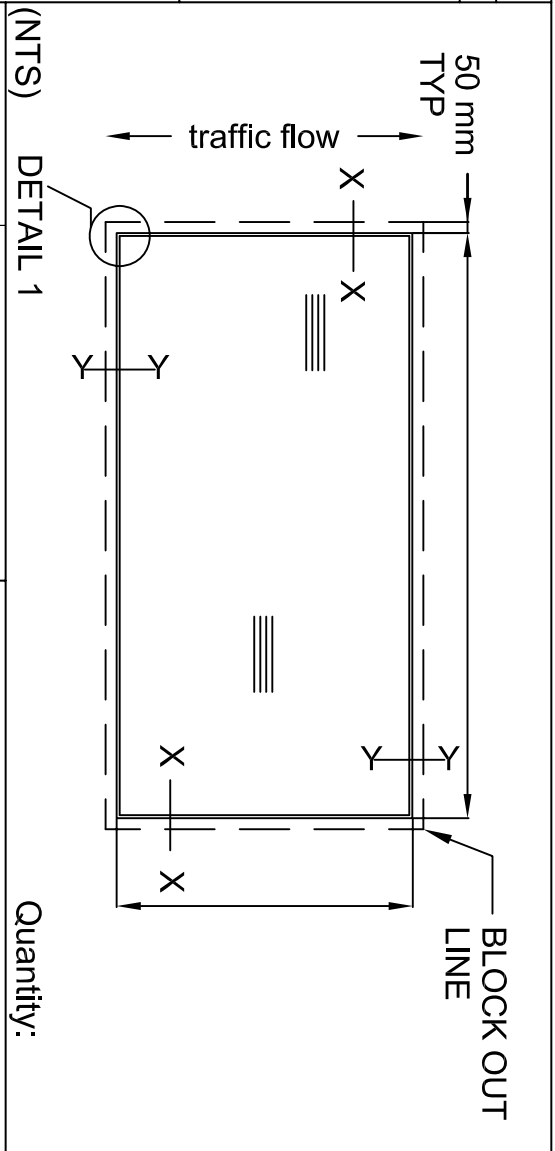


Project: _____ Sheet: _____
 Architect: _____ of _____
 Customer: _____ Date: _____
 Rep.: _____



GRILLES
 Material: Aluminium 6061-T6
 Assembly: 5/16" Steel rods
 1/2" Aluminium spacers
 Finish Options: Mill
 Clear anodized
 Bronze anodized
 Color selection: _____

FRAMES
 Material: Aluminium 6061-T6
 Assembly: Field installed with corner clips
 Finish Options: Mill
 Clear anodized
 Bronze anodized

Pan Options
 20G. Gal. steel
 16G. Aluminum
 20G. Stainless steel

Assembly
 Factory installed to inside
 of frame pocket

Accessories
 Drain
 Hinge
 Lock down

File #	No.	By:	Date:	Approved:
P.O.				
Revision Record:				

McGill
 1734 Orangebrook Court
 Pickering, Ont. L1W 3G8, Canada
 Tel: 905-420-0485 / 1-888-624-4557
 Fax: 905-420-4564 / 1-888-624-4558
 engineering @ the-mcgill-group.com
<http://www.the-mcgill-group.com>