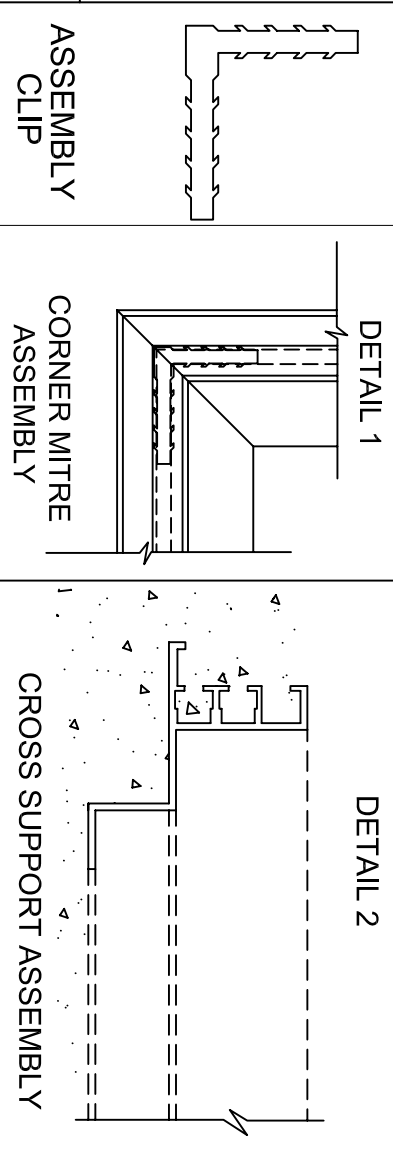
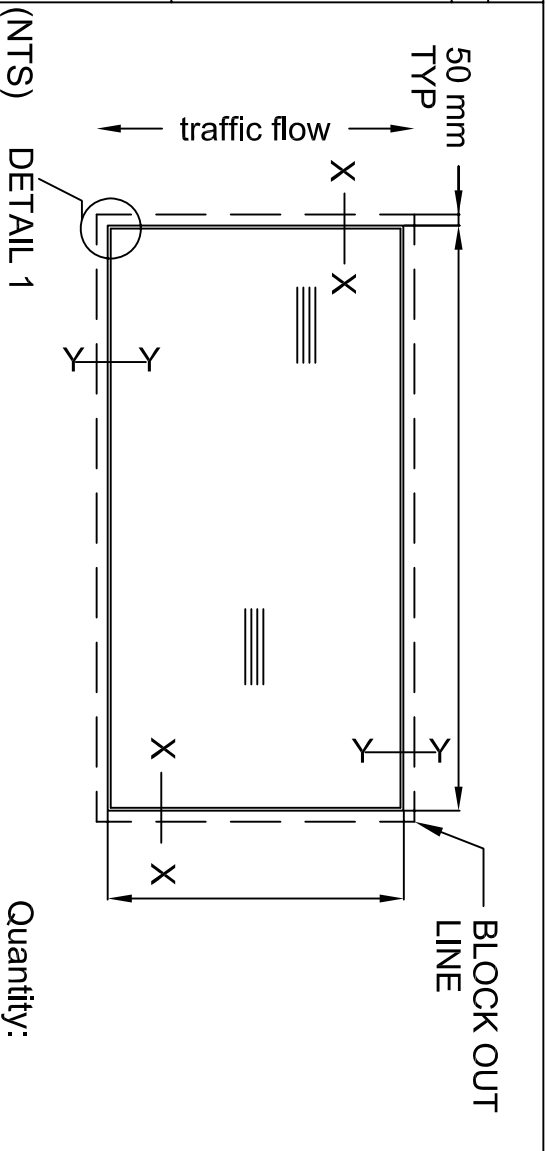


Project: \_\_\_\_\_ Sheet: \_\_\_\_\_  
 Architect: \_\_\_\_\_ of \_\_\_\_\_  
 Customer: \_\_\_\_\_ Date: \_\_\_\_\_  
 Rep.: \_\_\_\_\_



<b>GRILLES</b> Material: Aluminium 6061-T6 Assembly: 5/16" Steel rods 1/2" Aluminium spacers Finish Options: <input type="checkbox"/> Mill <input type="checkbox"/> Clear anodized <input type="checkbox"/> Bronze anodized Color selection: _____		<b>FRAMES</b> Material: Aluminium 6061-T6 Assembly: Field installed with corner clips Finish Options: <input type="checkbox"/> Mill <input type="checkbox"/> Clear anodized <input type="checkbox"/> Bronze anodized													
<b>Pan Options</b> <input type="checkbox"/> 20G. Gal. steel <input type="checkbox"/> 16G. Aluminum <input type="checkbox"/> 20G. Stainless steel		<b>Assembly</b> <input type="checkbox"/> Factory installed to inside <input type="checkbox"/> of frame pocket													
<b>Accessories</b> <input type="checkbox"/> Drain <input type="checkbox"/> Hinge <input type="checkbox"/> Lock down	<b>File #</b> _____ <b>Revision Record:</b> <table border="1"> <tr> <th>No.</th> <th>By:</th> <th>Date:</th> <th>Approved:</th> </tr> <tr> <td> </td> <td> </td> <td> </td> <td> </td> </tr> <tr> <td> </td> <td> </td> <td> </td> <td> </td> </tr> </table>	No.	By:	Date:	Approved:									<b>P.O.</b> _____	<b>McGill</b> 1734 Orangethrook Court Pickering, Ont. L1W 3G8, Canada Tel: 905-420-0485 / 1-888-624-4557 Fax: 905-420-4564 / 1-888-624-4558 engineering @ the-mcgill-group.com http://www.the-mcgill-group.com
No.	By:	Date:	Approved:												