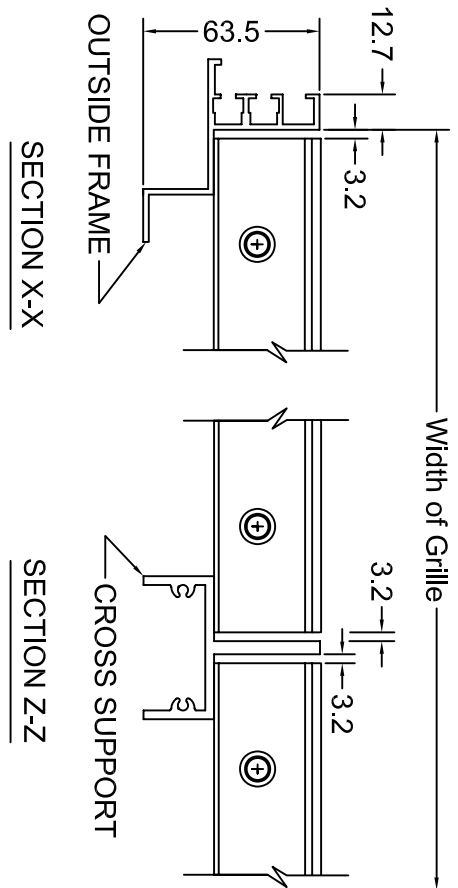
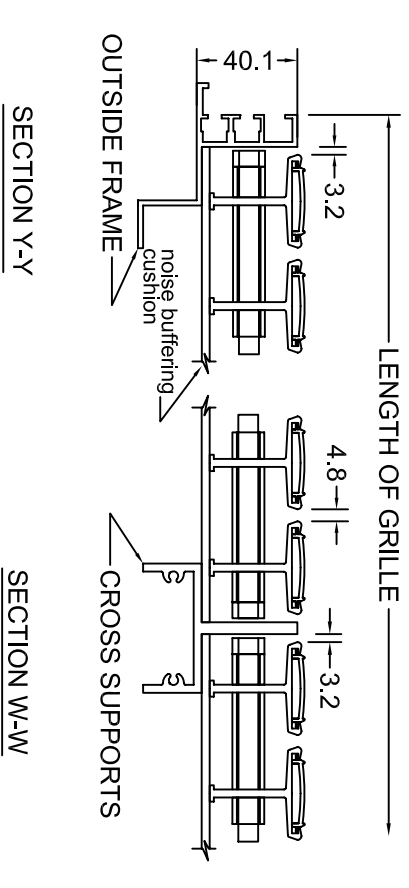
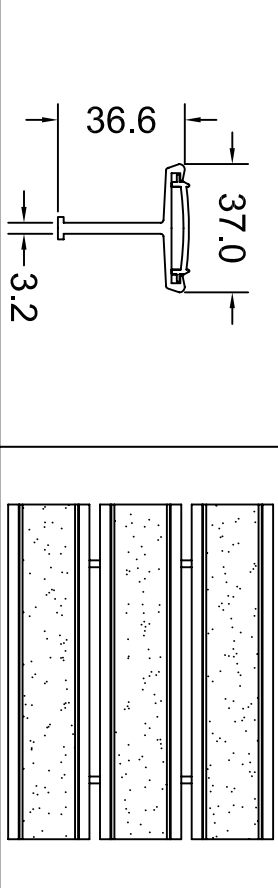


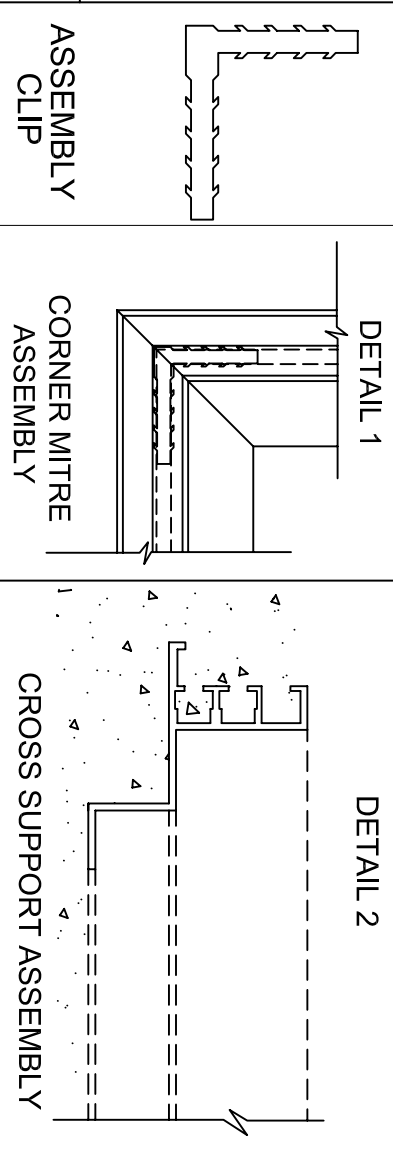
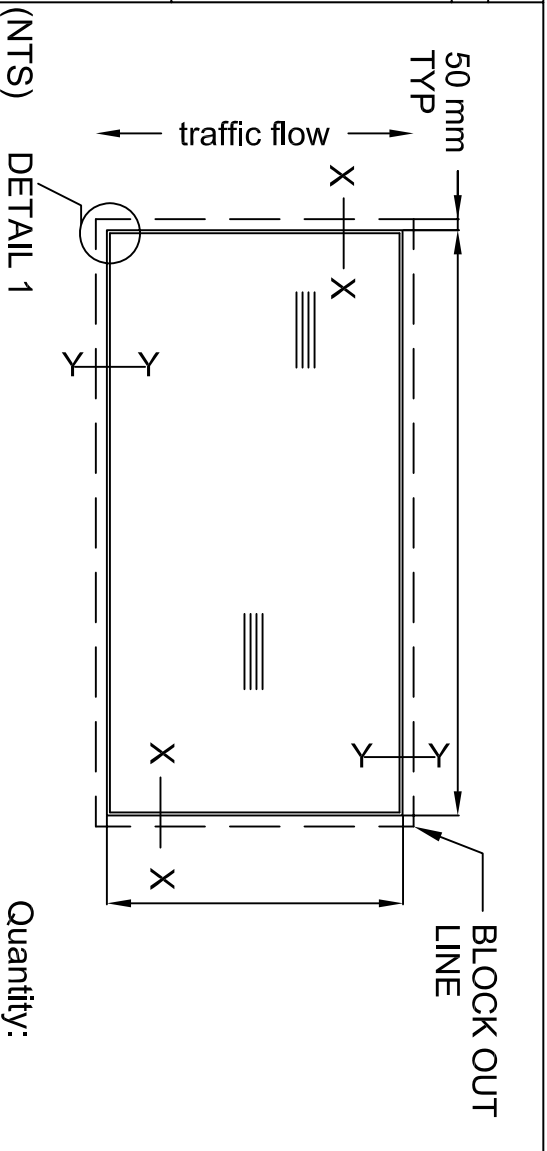
Rail Detail

Plan View Of Grille



Project: _____
 Architect: _____
 Customer: _____
 Rep.: _____

Sheet: _____ of _____
 Date: _____



GRILLES
 Material: Aluminium 6061-T6
 Assembly: 5/16" Steel rods
 1/2" Aluminium spacers

FRAMES
 Material: Aluminium 6061-T6
 Assembly: Field installed with corner clips

Finish Options: Mill
 Clear anodized
 Bronze anodized

Color selection: _____

Pan Options
 20G. Gal. steel
 16G. Aluminum
 20G. Stainless steel

Assembly
 Factory installed to inside
 of frame pocket

Accessories
 Drain
 Hinge
 Lock down

File # _____
 Revision Record: _____

No. _____ By: _____ Date: _____ Approved: _____

Quantity: _____

McGill
 1734 Orangethrook Court
 Pickering, Ont. L1W 3G8, Canada
 Tel: 905-420-0485 / 1-888-624-4557
 Fax: 905-420-4564 / 1-888-624-4558
 engineering @ the-mcgill-group.com
 http://www.the-mcgill-group.com