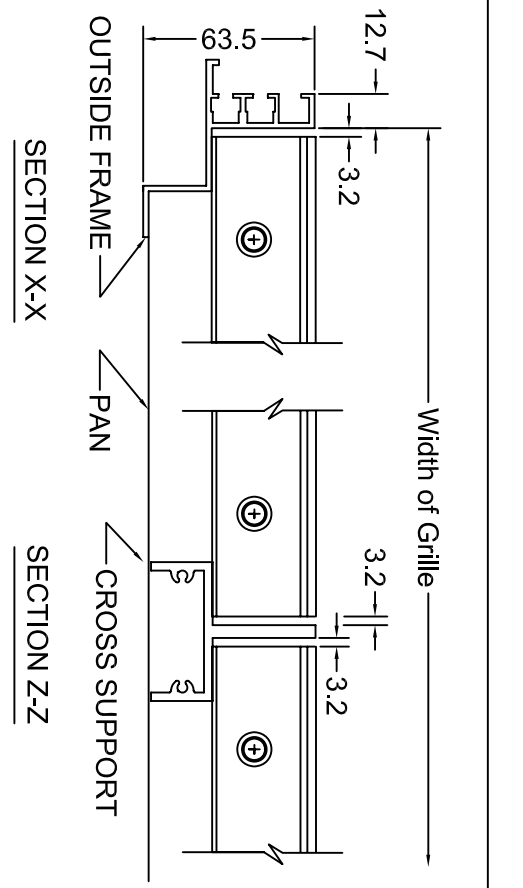
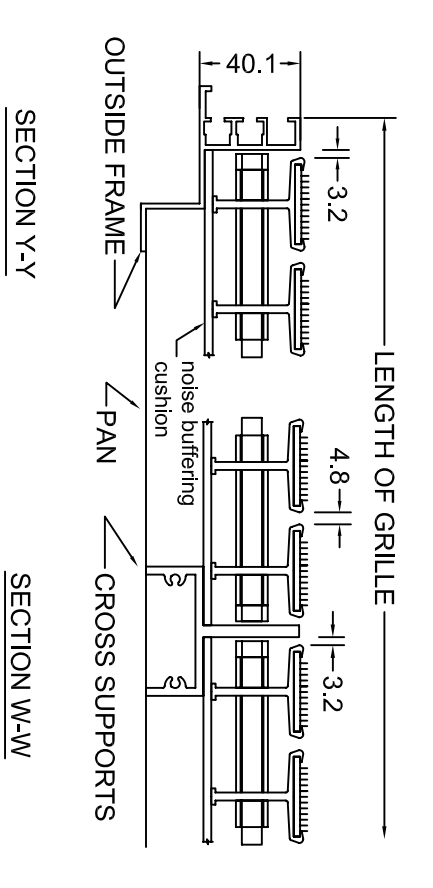
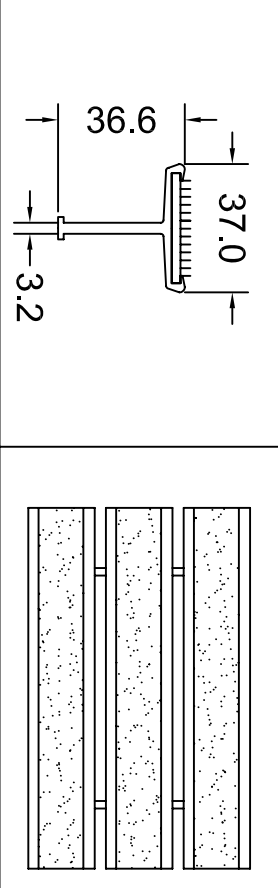


Rail Detail

Plan View Of Grille

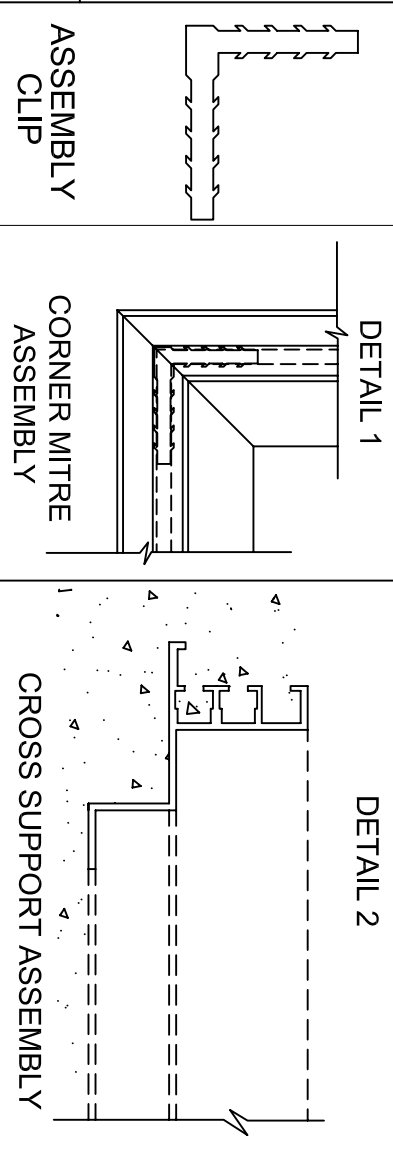
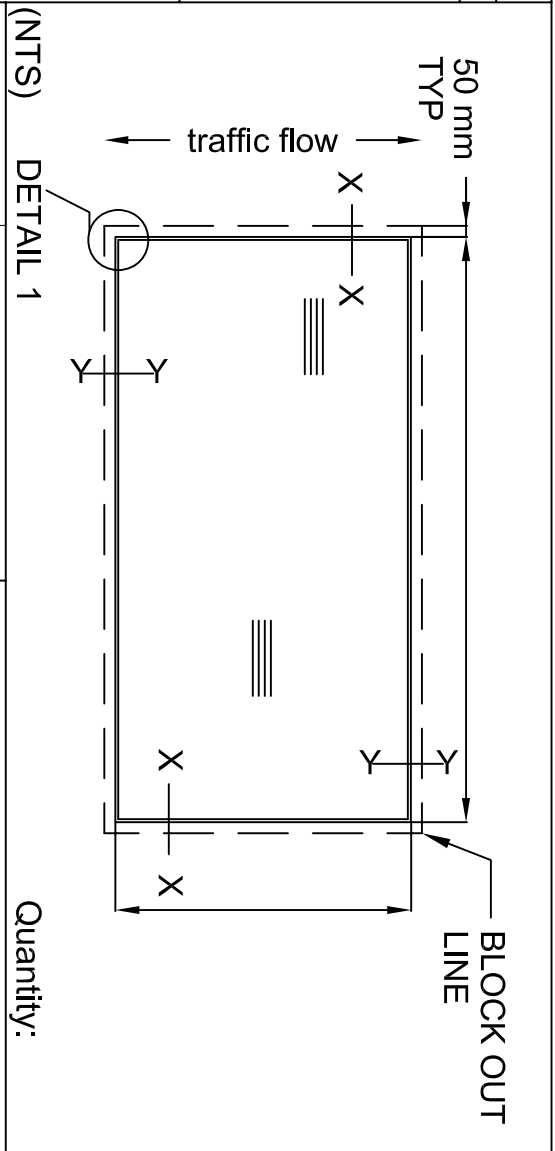


Project: _____ Sheet: _____ of _____

Architect: _____ Date: _____

Customer: _____

Rep.: _____



| <p>GRILLES</p> <p>Material: Aluminium 6061-T6 Assembly: 5/16" Steel rods 1/2" Aluminium spacers</p> <p>Finish Options: <input type="checkbox"/> Mill <input type="checkbox"/> Clear anodized <input type="checkbox"/> Bronze anodized</p> <p>Color selection:</p> | | <p>FRAMES</p> <p>Type: DP Material: Aluminium 6061-T6 Assembly: Field installed with corner clips</p> <p>Finish Options: <input type="checkbox"/> Mill <input type="checkbox"/> Clear anodized <input type="checkbox"/> Bronze anodized</p> | | | | | | | | | | | | | | | | | |
|--|-----|--|-----------|-----|-----|-------|-----------|--|--|--|--|--|--|--|--|--|--|--|--|
| <p>Pan Options</p> <p><input type="checkbox"/> 20G. Gal. steel <input type="checkbox"/> 16G. Aluminum <input type="checkbox"/> 20G. Stainless steel</p> | | <p>Assembly</p> <p><input type="checkbox"/> Factory installed to inside of frame pocket</p> | | | | | | | | | | | | | | | | | |
| <p>Accessories</p> <p><input type="checkbox"/> Drain <input type="checkbox"/> Hinge <input type="checkbox"/> Lock down</p> | | <p>Revision Record:</p> <table border="1"> <tr> <th>No.</th> <th>By:</th> <th>Date:</th> <th>Approved:</th> </tr> <tr> <td> </td> <td> </td> <td> </td> <td> </td> </tr> <tr> <td> </td> <td> </td> <td> </td> <td> </td> </tr> <tr> <td> </td> <td> </td> <td> </td> <td> </td> </tr> </table> | | No. | By: | Date: | Approved: | | | | | | | | | | | | |
| No. | By: | Date: | Approved: | | | | | | | | | | | | | | | | |
| | | | | | | | | | | | | | | | | | | | |
| | | | | | | | | | | | | | | | | | | | |
| | | | | | | | | | | | | | | | | | | | |
| <p>File # _____</p> | | <p>P.O. _____</p> | | | | | | | | | | | | | | | | | |

McGill

1734 Orangethrook Court
 Pickering, Ont. L1W 3G8, Canada
 Tel: 905-420-0485 / 1-888-624-4557
 Fax: 905-420-4564 / 1-888-624-4558
 engineering @ the-mcgill-group.com
<http://www.the-mcgill-group.com>