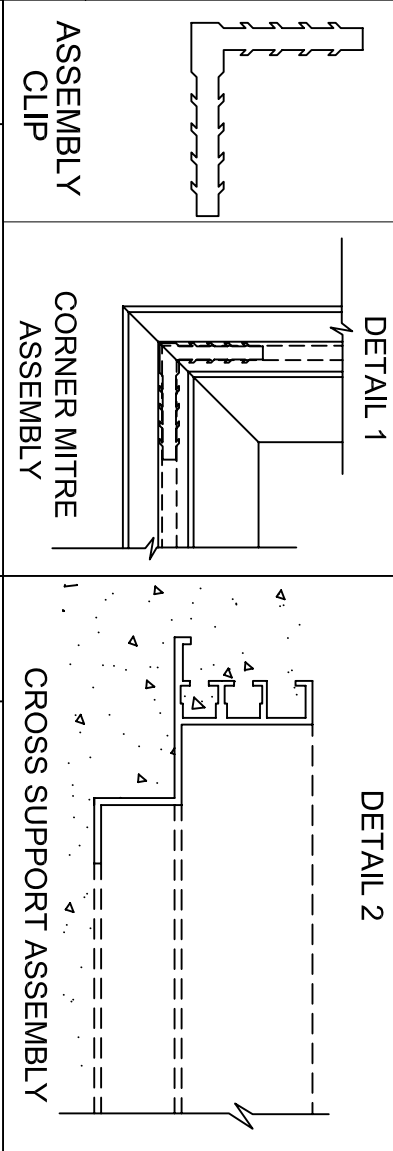
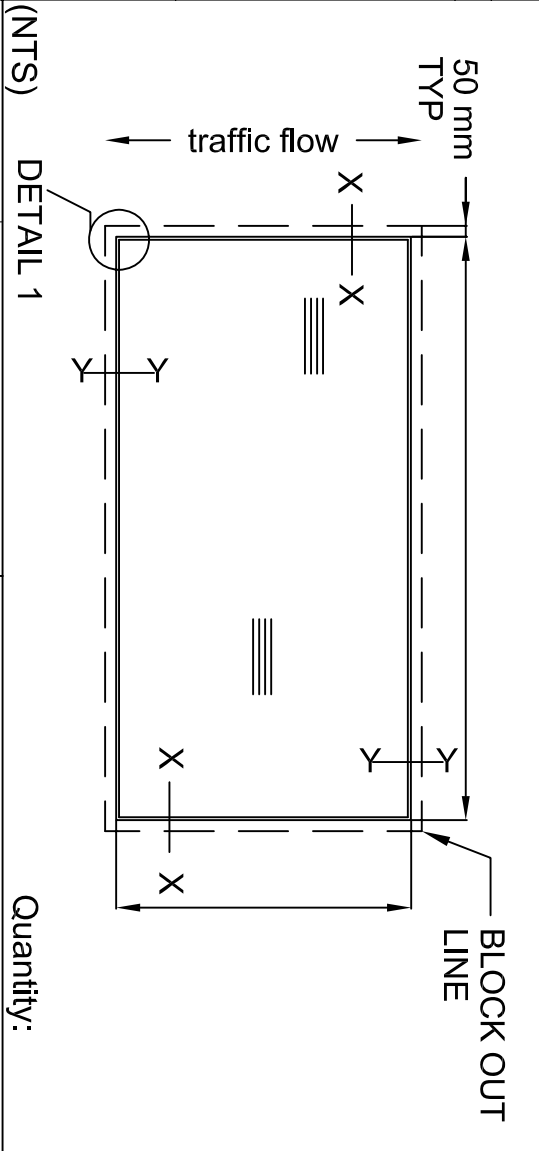
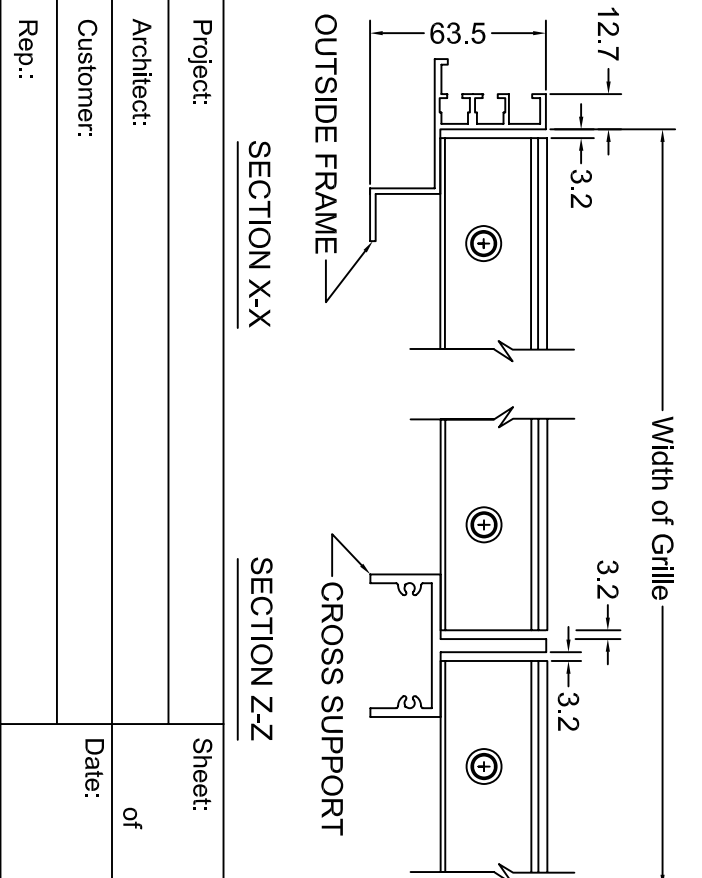
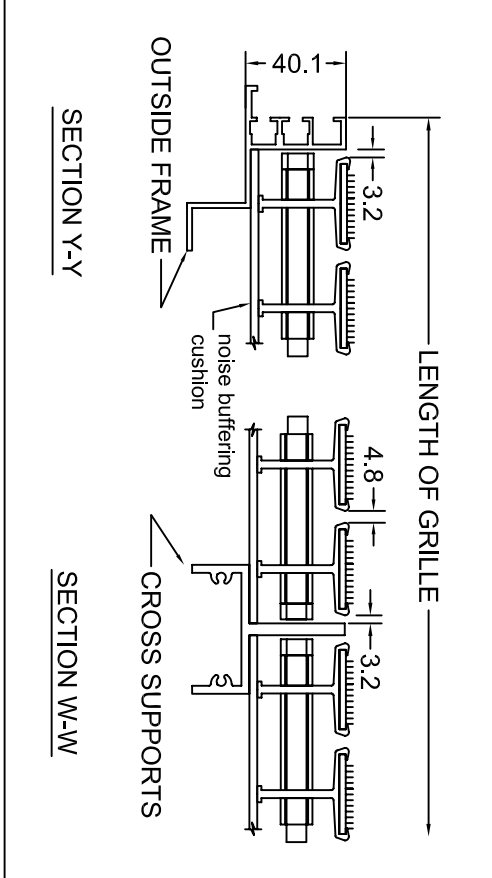
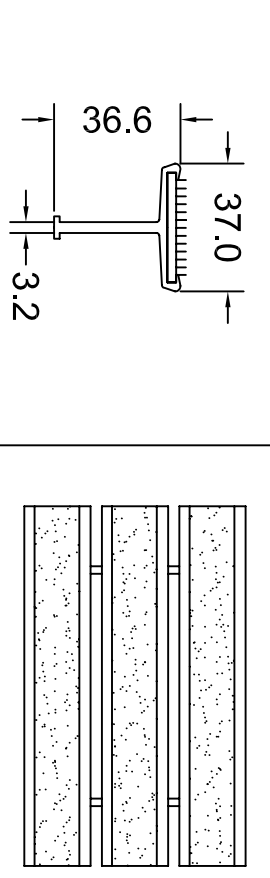


MODEL: AG-2000-SNC-D

Rail Detail

Plan View Of Grille



<p>GRILLES</p> <p>Material : Aluminium 6061-T6 Assembly : 5/16" Steel rods 1/2" Aluminium spacers</p> <p>Finish Options : <input type="checkbox"/> Mill <input type="checkbox"/> Clear anodized <input type="checkbox"/> Bronze anodized</p> <p>Color selection:</p>		<p>FRAMES</p> <p>Material : Aluminium 6061-T6 Assembly : Field installed with corner clips</p> <p>Finish Options: <input type="checkbox"/> Mill <input type="checkbox"/> Clear anodized <input type="checkbox"/> Bronze anodized</p>	
<p>Pan Options</p> <p><input type="checkbox"/> 20G.Gal.steel <input type="checkbox"/> 16G.Aluminum <input type="checkbox"/> 20G.Stainless steel</p>		<p>Assembly</p> <p><input type="checkbox"/> Factory installed to inside of frame pocket</p>	
<p>Accessories</p> <p><input type="checkbox"/> Drain <input type="checkbox"/> Hinge <input type="checkbox"/> Lock down</p>		<p>Quantity:</p>	

Project: _____ Sheet: _____

Architect: _____ of _____

Customer: _____ Date: _____

Rep.: _____

File # _____ P.O. _____

Revision Record:

No.	By:	Date:	Approved:

McGill

1734 Orangebrook Court
 Pickering, Ont. L1W 3G8, Canada
 Tel: 905-420-0485 / 1-888-624-4557
 Fax: 905-420-4564 / 1-888-624-4558
 engineering @ the-mcgill-group.com
<http://www.the-mcgill-group.com>