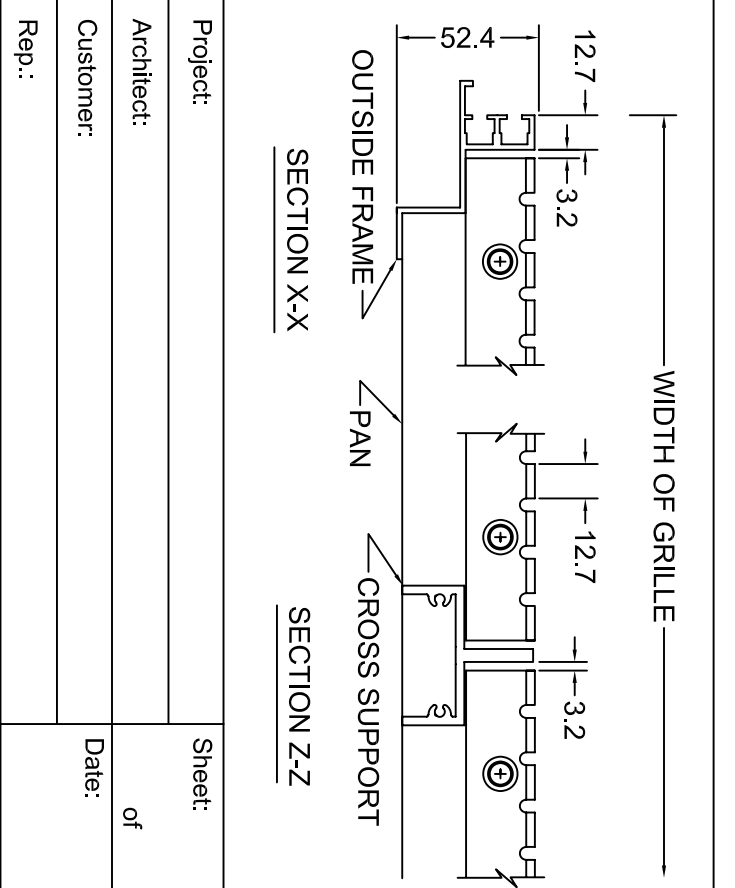
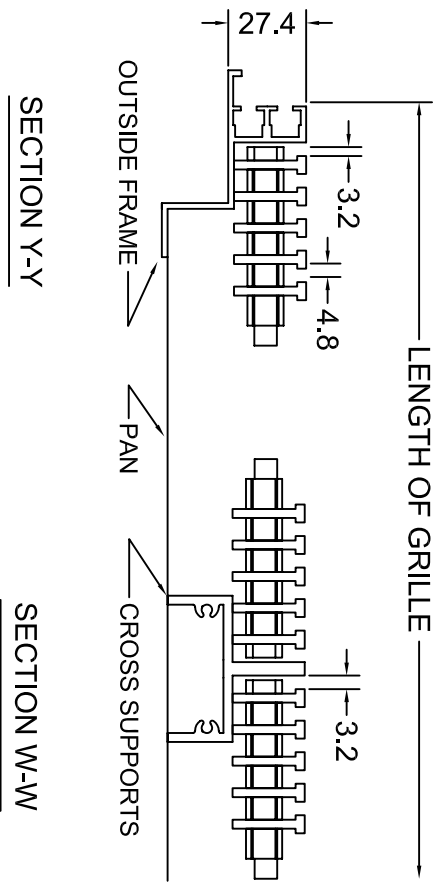
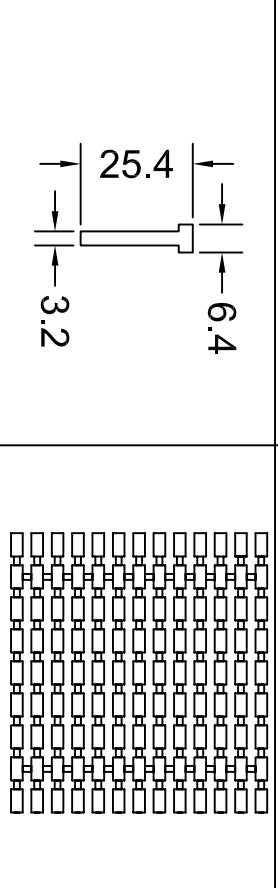


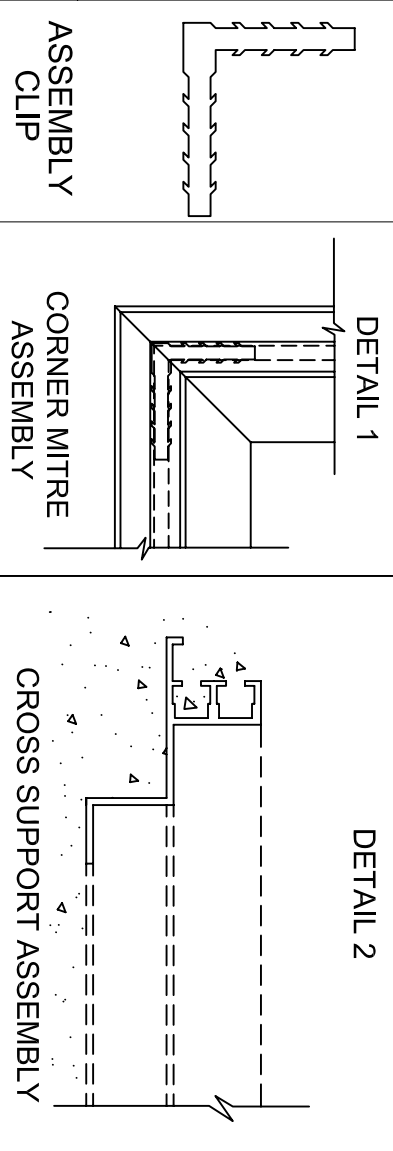
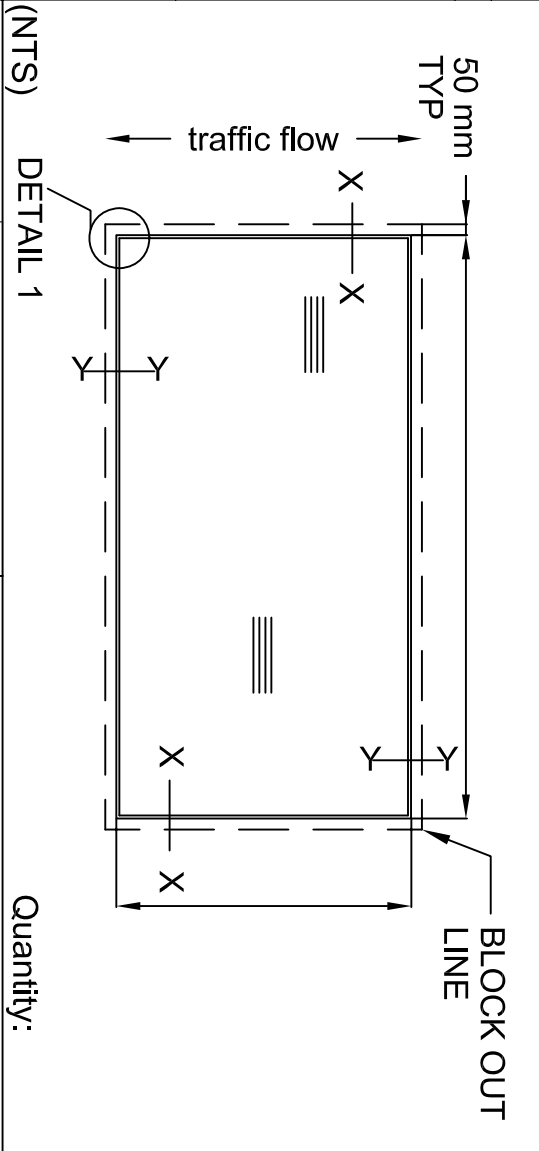
MODEL: AGS-200-DP

Rail Detail

Plan View Of Grille



Project:	Sheet:
Architect:	of
Customer:	Date:
Rep.:	



GRILLES Material : Aluminium 6061-T6 Assembly : 5/16" Steel rods 1/2" Aluminum spacers Finish Options : <input type="checkbox"/> Mill <input type="checkbox"/> Clear anodized <input type="checkbox"/> Bronze anodized		FRAMES Material : Aluminium 6061-T6 Assembly : Field installed with corner clips Finish Options: <input type="checkbox"/> Mill <input type="checkbox"/> Clear anodized <input type="checkbox"/> Bronze anodized																	
Pan Options <input type="checkbox"/> 20G.Gal.steel <input type="checkbox"/> 16G.Aluminum <input type="checkbox"/> 20G.Stainless steel		Accessories <input type="checkbox"/> Drain <input type="checkbox"/> Hinge <input type="checkbox"/> Lock down																	
Assembly Factory installed to inside of frame pocket																			
Revision Record: <table border="1"> <tr> <th>No.</th> <th>By:</th> <th>Date:</th> <th>Approved:</th> </tr> <tr> <td> </td> <td> </td> <td> </td> <td> </td> </tr> <tr> <td> </td> <td> </td> <td> </td> <td> </td> </tr> <tr> <td> </td> <td> </td> <td> </td> <td> </td> </tr> </table>		No.	By:	Date:	Approved:													File # _____ P.O. _____	
No.	By:	Date:	Approved:																


 1734 Orangebrook Court
 Pickering, Ont. L1W 3G8, Canada
 Tel: 905-420-0485 / 1-888-624-4557
 Fax: 905-420-4564 / 1-888-624-4558
 engineering @ the-mcgill-group.com
<http://www.the-mcgill-group.com>